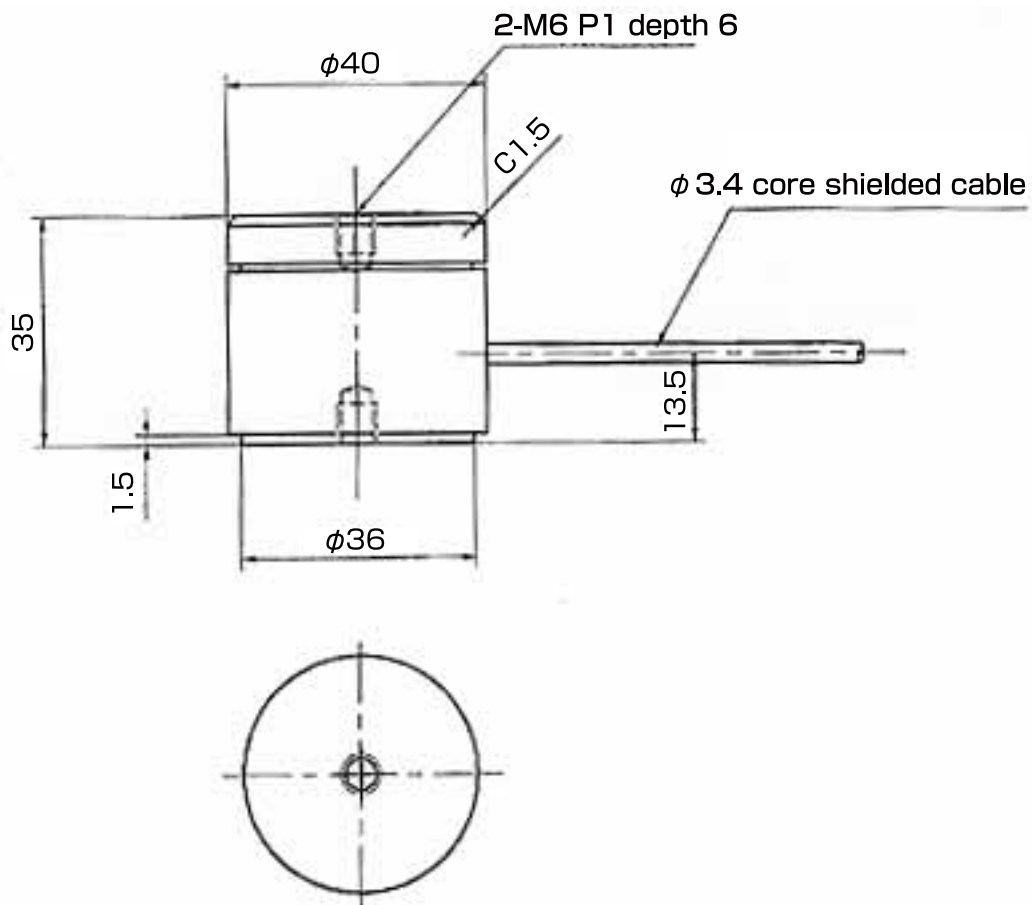


Model UM Series

Load cell for tensile & compression tests



Standard dimensions

Model	Size (mm)	Rated capacity
UM-2K		20N
UM-5K		50N
UM-10K		100N
UM-20K		200N